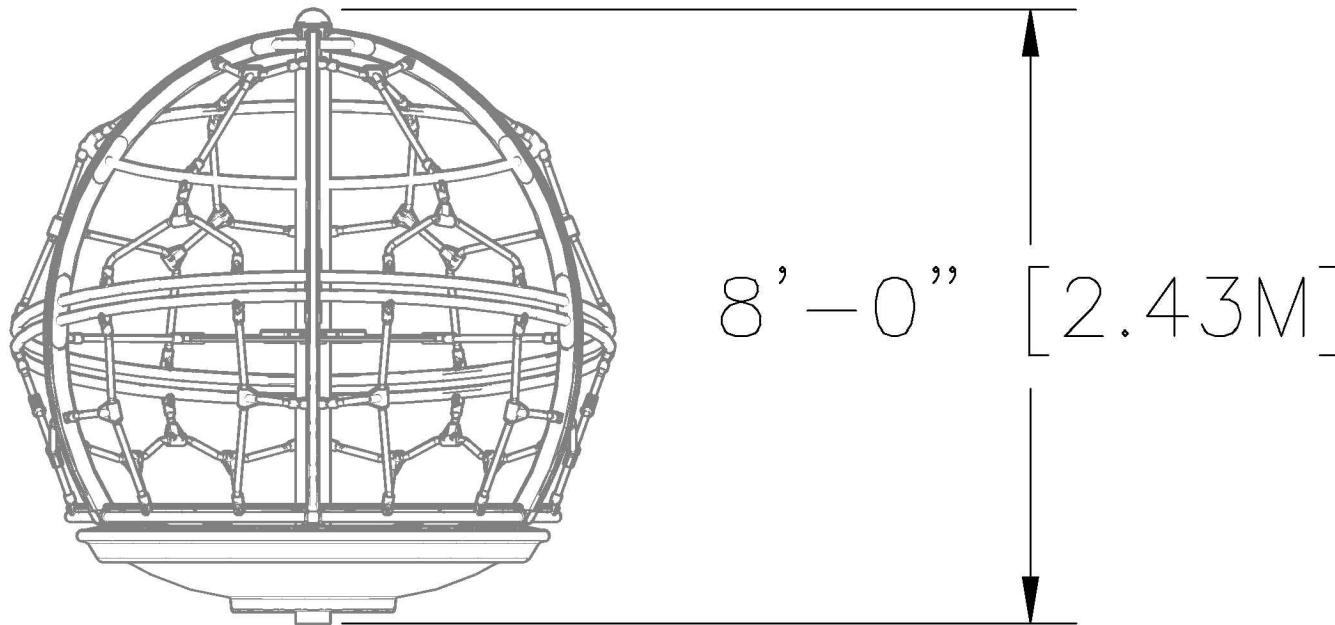


# FREESTANDING EQUIPMENT

Elevation View

Scale: 1:30



PN: A2-2472  
Date: 09/07/21  
Drawn By: ACG

**SpinMAX Orbit**  
Playcraft Systems



123 NORTH VALLEY DRIVE  
GRANTS PASS, OR 97526  
PH: 541-955-9199  
FAX: 541-955-6130  
[www.playcraftsystems.com](http://www.playcraftsystems.com)