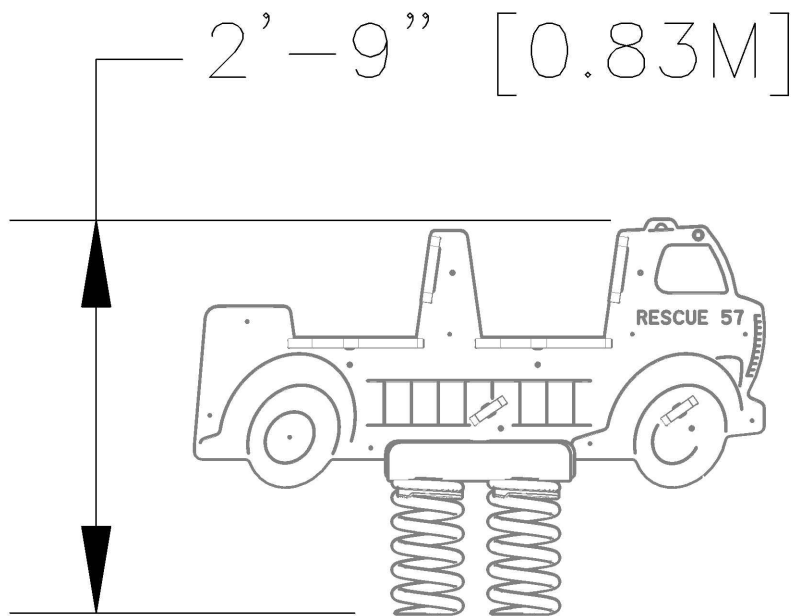


# FREESTANDING EQUIPMENT

Elevation View

Scale: 1:16



PN: A2-1390  
Date: 10/01/21  
Drawn By: CMG

**Dual Fire Truck**  
Playcraft Systems



123 NORTH VALLEY DRIVE  
GRANTS PASS, OR 97526  
PH: 541-955-9199  
FAX: 541-955-6130  
[www.playcraftsystems.com](http://www.playcraftsystems.com)